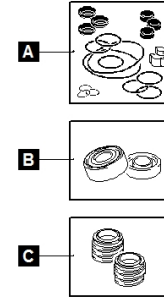
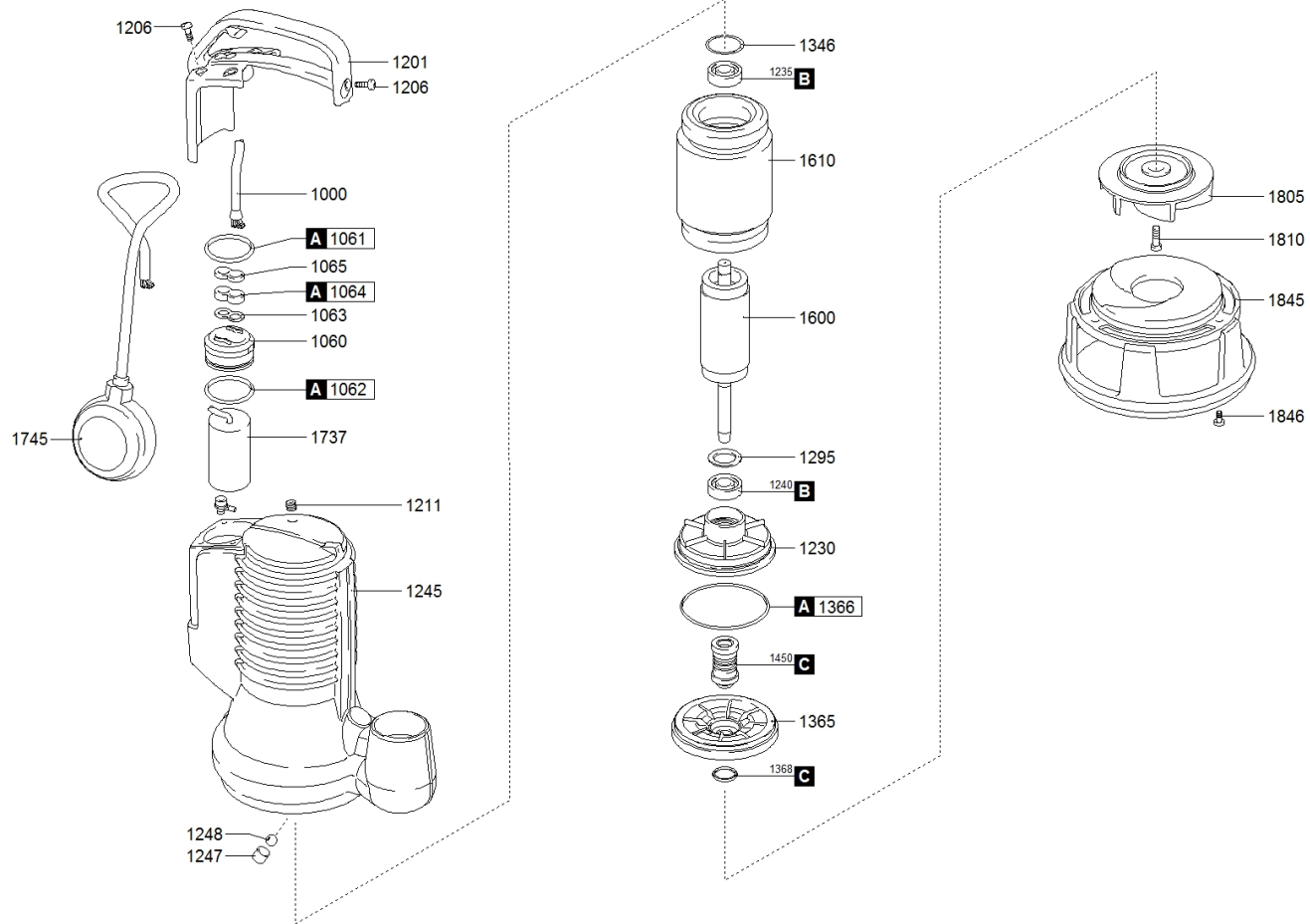


1103.004 - DGBLUEP 150/2/G50V A1CT5 NGNAB51040NW0CX





water solutions



1103.004 - DGBLUEP 150/2/G50V A1CT5 NGNAB51040NW0CX

	Code	Description		Q.ty
A	601008001	GASKETS KIT	801156	1
C	602008031	MECHANICAL SEALS KIT	711079	1
1000	250102404010000000	POWER CABLE		1
1060	239768026156	HOLDER [CABLE GLAND]		1
1061	271770412835300000	UPPER GASKET - HOLDER [CABLE GLAND]	711030	1
1062	271770040952620000	LOWER GASKET - HOLDER [CABLE GLAND]		1
1063	235467024280	CABLE STOP		1
1063	2732001100000	CABLE STOP		1
1064	235678024238	RUBBER GASKET		1
1065	235467024241	CABLE GLAND		1
1201	235361024325	CABLE GLAND HANDLE	804984	1
1206	270830510140400000	SCREW [CABLE GLAND HANDLE >> COVER]		5
1211	270139510104000000	CAP [TIGHTNESS TEST]	802099	1
1230	230556323606	LOWER BEARING HOLDER		1
1235	2729062030200000	UPPER BEARING	711360 or 802083	1
1240	2729063030200000	LOWER BEARING	750023	1
1245	231016324971	MOTOR CASE		1
1247	2307605724327	BUSH [BREATHER]		1
1248	273077224326	BALL [BREATHER]		1
1295	270220170241500000	UPPER DISTANCE RING [LOWER BEARING]	711065	1
1346	27542039100000	WAVE SPRING	802283	1
1365	2391120021023608	MECHANICAL SEAL FLANGE		1
1366	271770107035000000	GASKET [LOWER BEARING HOLDER >> MECHANICAL SEAL FLANGE]		1
1368	237970130190600000	V-RING [MECHANICAL SEAL FLANGE]		1
1450	230005040150000000	MECHANICAL SEAL	710995	1
1600	230233611823937	SHAFT WITH ROTOR		1
1610	231101183002000000	WOUND STATOR	802367	1
1805	21411400910623949	IMPELLER	800234	1
1845	2145113023903	BASE	800235	1
1846	270830610123200000	SCREW [BASE >> MOTOR CASE]	802092	3
1846	270830610253200000	SCREW [BASE >> MOTOR CASE]		1